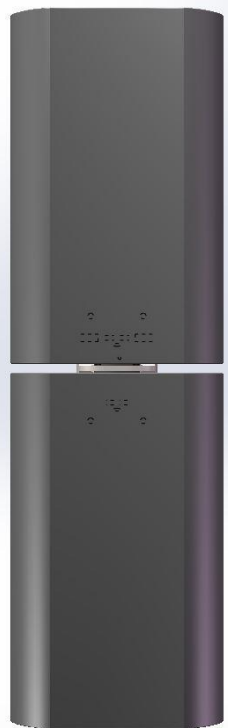


UB-ADS-DS

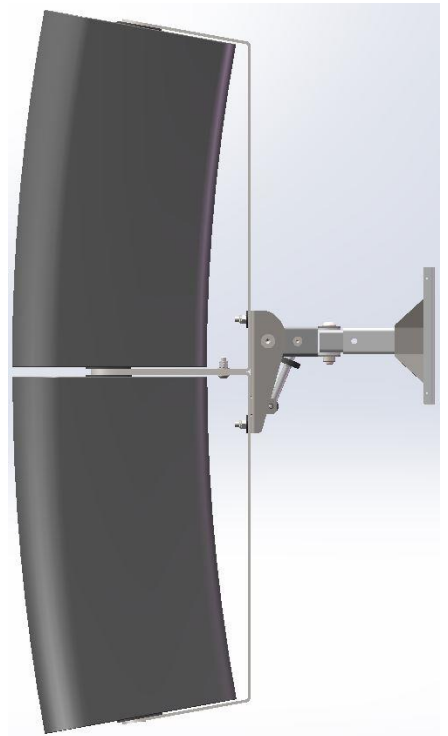
U-Bracket and Adjustable Wall Mount Installation Instructions



ISOMETRIC VIEW



FRONT VIEW



SIDE VIEW

The U-Bracket holds the loudspeakers weighing up to 60 lbs. by securing to standard two-holes mounting patterns located on the top and the bottom faces of the speakers. The MM-120 adjustable mount is then connecting the u-brackets to the speaker plate.

The U-Bracket and MM-120 are simplified to speeds up installations while offering a very versatile range of mounting and aiming options.

Warning:

Mounting and/rigging equipment requires experienced professionals.

Improperly installed loudspeakers can result in property damage, personal injury, death and liability to the installing contractor.

Note to installing contractor:

Due to the wide variety of wall structures, materials and mounting methods, these instructions assume that the installing contractor exercise proper judgment in selecting the mounting area and mounting hardware.

As a guide, the installation, when complete should be capable of supporting up to 5 times the actual applied load without failing. Use a backing plate or plywood if necessary. **In addition, always use a back up safety system such as a safety cable.**

To assure a trouble free installation, read through and follow these instructions carefully before beginning the installation. If you have any doubts about the integrity of the structure you are mounting to or you are not sure about the proper hardware to use, consult a structural and/or hardware specialist.

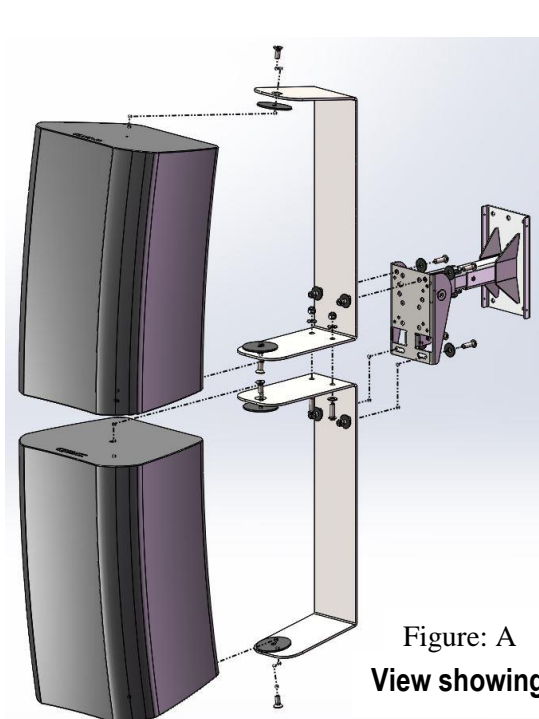


Figure: A
View showing the parts going together.

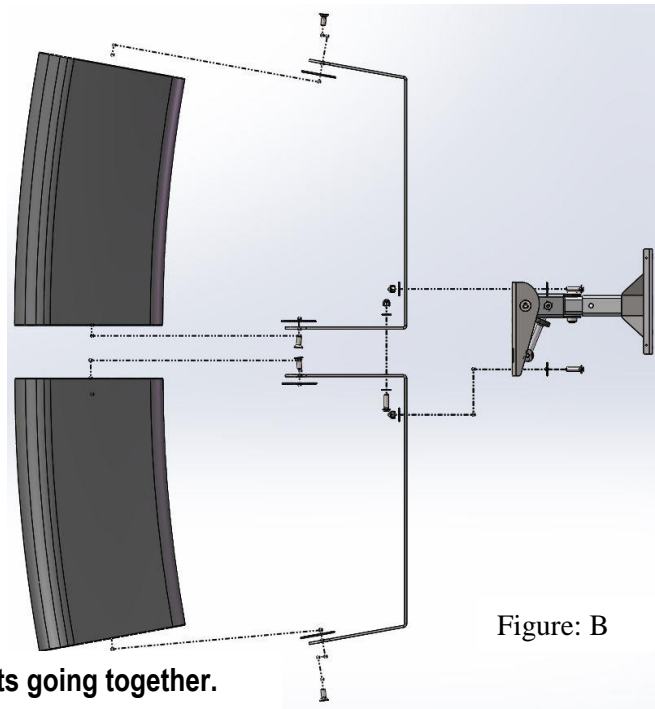


Figure: B

Be sure that all of the items are included before proceeding:

Item #:	Qty	Description
1.	2	U-Bracket
2.	1	Adjustable wall mount – MM-120
3.	1	Hardware kit bag

Use the following hardware to install the U-Bracket, UB-ADS-DS to Speaker: See Figure: 1

Item #:	Qty.	Description
1.	4	Neo Washer, 3/8 x 3 x 1-1/4, black
2.	4	Flat Head Socket Screw, M10 X 1.5 X 25MM long, black zinc

Use the following hardware to install the U-Bracket, UB-ADS-DS to adj. wall mount MM-120. See Figure: 2
See Figure 3 and Figure 4 for additional angle.

Item #:	Qty.	Description
3.	6	Button Head Socket Screw, 3/8 – 16 x 1-1/4 long, black zinc
4.	16	Flat Washer Narrow, 3/8 SAE
5.	6	Nylock Nut, 3/8 -16, G8, black zinc
6.	6	Split Washer, 3/8 ID

Note: for additional help with the installation, see Figure: A and B

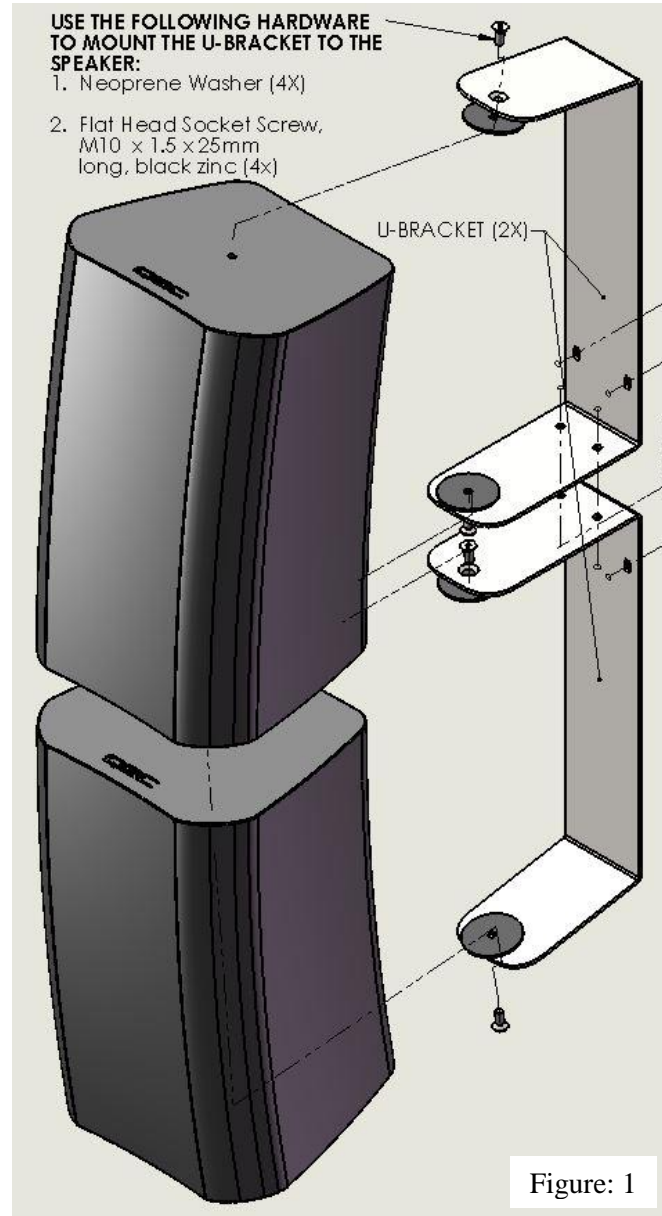
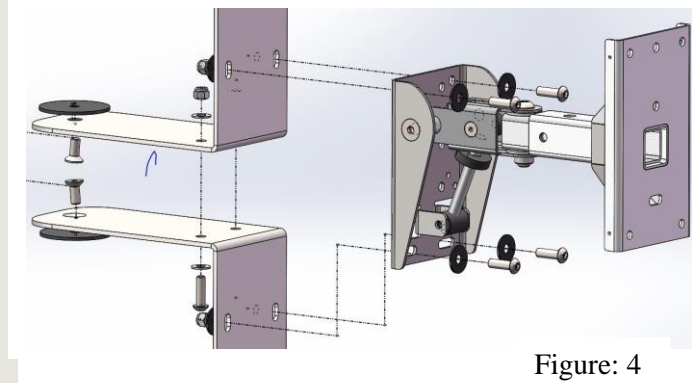
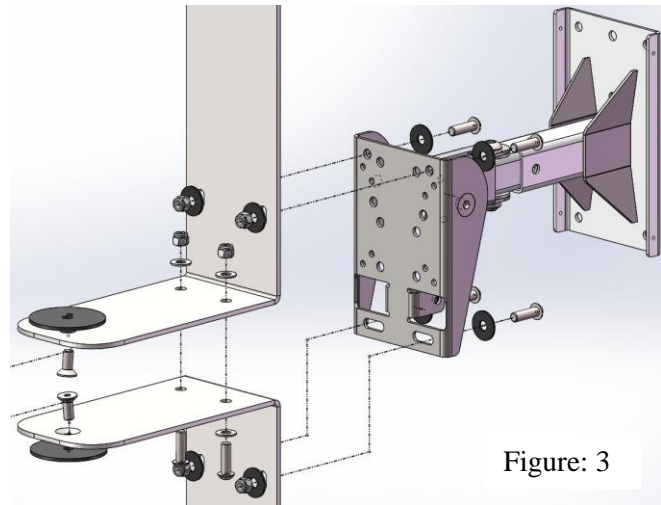
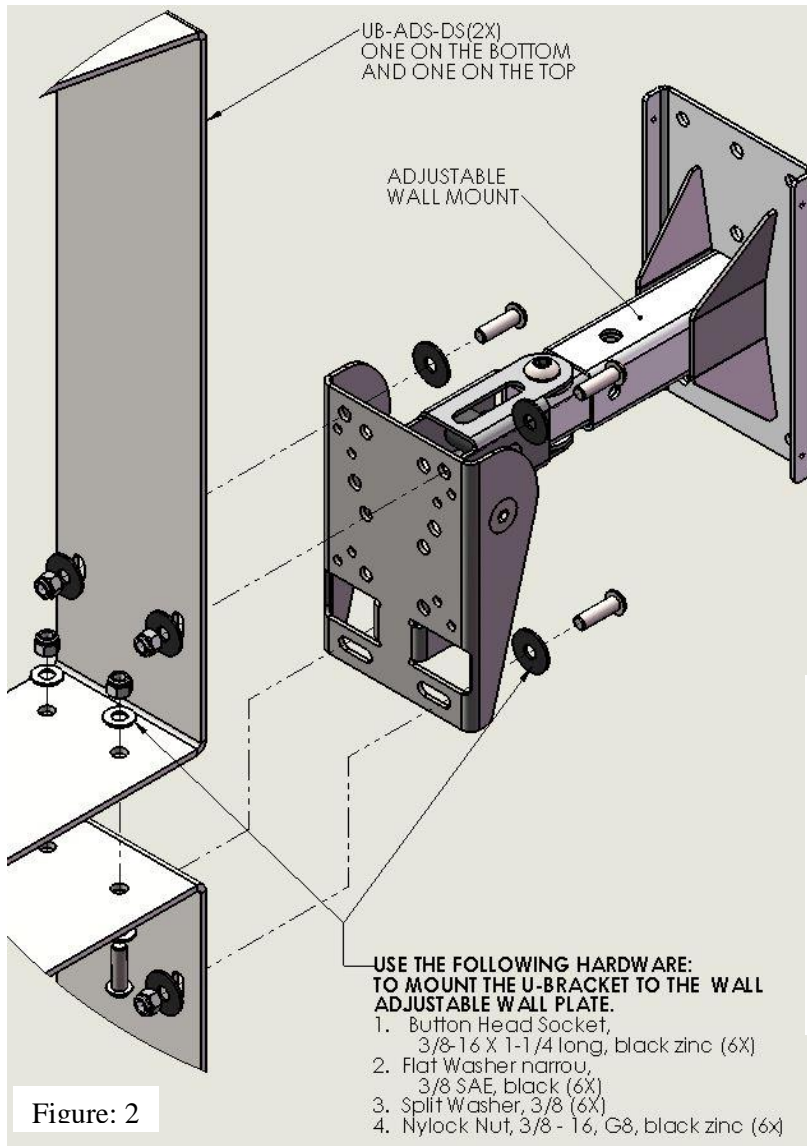


Figure: 1



Caution - If in doubt, consult a hardware specialist in the proper selection for mounting to the structure. If wiring is coming out from the wall, make sure that it is long enough to go out from the square hole of the wall mount plate.

Strongly Recommended: Install Safety Cable

Attach one end of a safety to the wall structure and the other end to the speaker. If no attachment is provided on the speaker, consult the speaker manufacturer for advice on best attachment point on method. Safety cables sold separately.