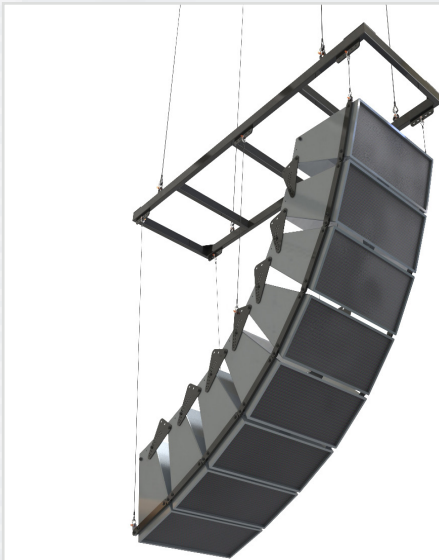


RS-PD5125-AJ

1600 lb. WLL

ADJUSTABLE PD SERIES RIGGING SYSTEM

STEERABLES

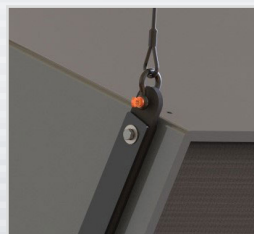


Cluster Hardware - Universal Grid sold separately

Assemble clusters and fly JBL's PD5125 loudspeakers together vertically, up to 8 cabinets in a row using the RS-PD5125-AJ Rigging Kit.

This easy to assemble kit comes with two front and rear load rated pivoting side straps that secure to the front sides of the PD cabinet and interlock up to the front straps of the next PD cabinet. Also in the kit are two angle plates that allow each cabinet to be set to the desired splay angle at the rear of the speaker, from 0 degrees to 20 degrees in 1 degree increments.

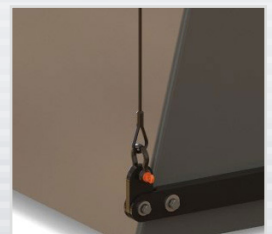
The front straps provide the rigging points necessary to fly the cluster while two added links provide the pull-back function. Fly clusters in medium to steep angles using the Universal Grid RS-42X120-UG. See data sheet for more details.



Front Strap



Angle Plate



PULL BACK

STANDARD FEATURES:

- ▶ Permanently supports small & mid-size clusters
- ▶ Easy Installation - goes up in minutes
- ▶ Provides up to 45 degrees of pan angle
- ▶ Utilizes the Line Array's grid for down tilt
- ▶ Outdoor Rated

OPTIONAL ACCESSORIES:

- ▶ See overhead Grid RS-42X120-UG data sheet
- ▶ See overhead hardware data sheet
- ▶ See wire rope data sheet
- ▶ See safety cable data sheet

SPECIFICATIONS:

Materials: Structural steel shapes
Finish: Zinc Based Powder coat
Color: Black
Pan Angle: Up to +/- 45 degrees
Tilt Angle: See line array specifications
WLL: 1600lb/727 Kg per speaker
Design Factor: 5:1
Content: 1/carton

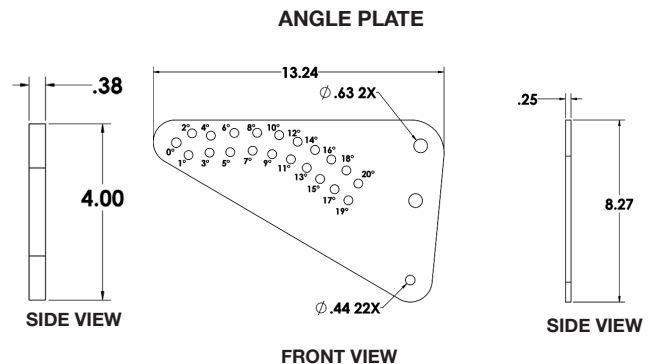
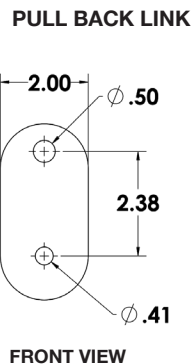
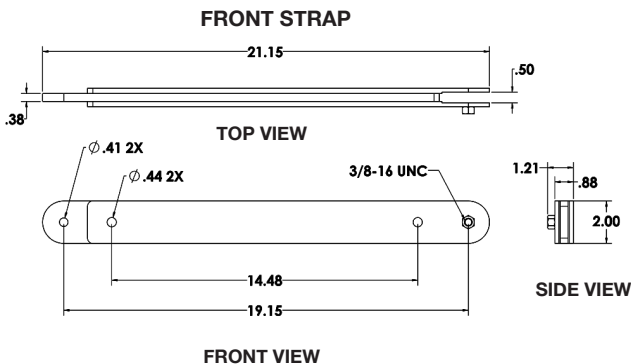
PACKAGE CONTENTS:

- 2 pcs.** Side Straps and hardware
- 2 pcs.** Angle Adjuster plates and hardware
- 2 pcs.** Pull-back links and hardware



Rated for outdoor use.

DIMENSIONS:



ALWAYS INSTALL SAFETY CABLES

WARNING: Mounting and/or suspension of audio and video equipment requires experienced professionals. Improperly installed loudspeakers can result in property damage, personal injury and/or liability to the installing contractor.

Adaptive Technologies Group
 1635 E. Burnett Street | Signal Hill, CA 90755 USA
 Ph: 562.424.1100 | Fax: 562.424.3520
 www.adaptivetechgroup.com

