

Universal Grid RS-56X168-UG

3200 lb. WLL

OVERHEAD LOAD-RATED RIGGING FRAME

RIGGING SYSTEM



Universal Grid with Line Array

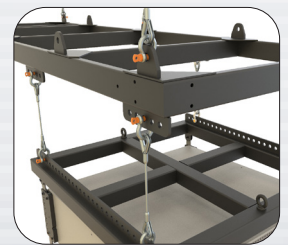
RS-56X168-UG Heavy Duty Universal Grid

Adaptive's outdoor rated Universal Grid is a load-rated heavy-duty frame designed to support overhead rigging of medium and large format loudspeakers, loudspeaker clusters, including line arrays, subs and planar arrays, as well as single box hangs.

Four upper hang points at each corner suspend up to the venue's superstructure and two side attach points provide for anti-sway cables. Lower suspension brackets, each with its own multiple hang point configurations allows for nearly any combination of rigging of loudspeakers.

This Universal Grid comes disassembled for ease of shipping and is constructed of structural tubular steel. Its then black powder coated with a matte finish.

Add the Universal Grid Extension RS-56X42-UG-EXT to rig full sub arrays behind the main array thus allowing the speaker cluster to increase its down angle from the front.



STANDARD FEATURES:

- ▶ Permanently supports mid-size and large clusters
- ▶ Easy Installation - goes up in minutes
- ▶ Rugged black powder coat finish
- ▶ Outdoor Rated

OPTIONAL ACCESSORIES:

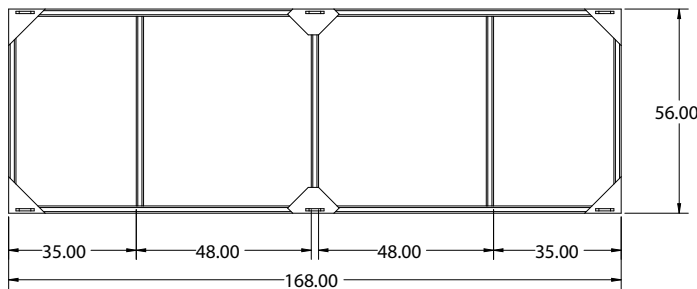
- ▶ See overhead hardware data sheet
- ▶ See wire rope data sheet
- ▶ See safety cable data sheet
- ▶ RS-56X42-UG-EXT Frame Extension

SPECIFICATIONS:

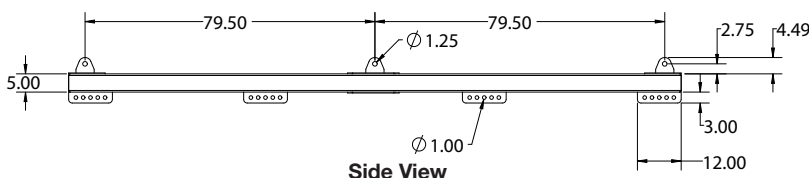
Materials: Structural steel
Finish: Zinc enriched powder coat
Color: Black
WLL: 3200 lb / 1455 Kg
Design Factor: 5:1
Content: 1 Universal Grid

PACKAGE CONTENTS:

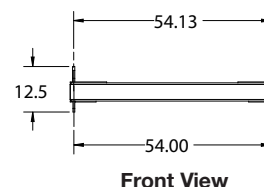
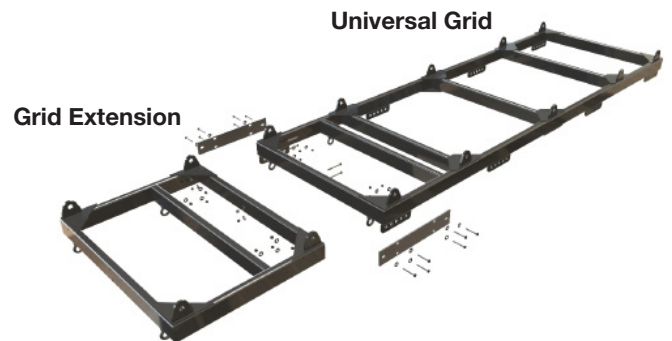
1 pc. Universal Grid



Top View



Side View



Front View