

SAS-200-WM-G

200 lb. WLL

LOUDSPEAKER SUSPENSION & AIMING SYSTEM

STEERABLES®



With Tilt Cable Kit

The Steerables® SAS-200-WM-G is an outdoor rated speaker mount that suspends and aims loudspeakers from walls and other vertical structures. Loudspeaker cabinets equipped with suspension or mounting points can be suspended and aimed with unprecedented ease and precision. Pan and tilt adjustments can be made or remade within seconds.

Ideal applications include permanently installed loudspeakers at ball parks, retail centers, theme parks, and outdoor entertainments centers.

The Steerables® unique Cross-Arm steering mechanism provides up to 360 degrees of pan control while tilting is achieved either through the addition of a standard U-Series bracket or Steerables® Tilt Cable Kit (see respective data sheets for more details).

This galvanized structural steel assembly comes in just two ready to mount sections and will support loads of up to 200 lbs./90.9 Kg. with testing to over seven times its normal working load.



With U-Series Bracket

SPECIFICATIONS:

Materials: Structural Steel
Finish: Galvanized
Color: Silver
Pan Rotation: 360° Horizontal Swivel Max
Working Load Limit: 200 lbs/90.9 kg
Design Factor: 7:1 Ratio
Net Weight: 21.5 lbs/9.8 kg
Shipping Weight: 25 lbs/7.7 kg
Pack Count: 1/carton

PACKAGE CONTENTS:

1 pc. Wall arm
1 pc. Cross Arm
1 pc. Hardware Kit

Hardware for mounting to the wall structure is not included.

Tilt mechanism is ordered separately. See Next Page



Rated for outdoor use.

STANDARD FEATURES:

- ▶ Suspends riggable loudspeakers from walls and other vertical surfaces
- ▶ Unique cross arm steering mechanism offers 360° of pan control
- ▶ Significant reductions in installation and planning time
- ▶ Accommodates standard U-Series mounts and Steerables® Tilt Cable Kits
- ▶ Minimal mounting surface area required
- ▶ Galvanized for outdoor use

OPTIONAL ACCESSORIES:

- ▶ See Tilt Cable Kit Datasheet
- ▶ See U-Series mount data sheet
- ▶ See Overhead Hardware Datasheet

Adaptive Technologies Group
1635 E. Burnett Street | Signal Hill, CA 90755 USA
Ph: 562.424.1100 | Fax: 562.424.3520
www.adaptivetechologiesgroup.com



ALWAYS INSTALL SAFETY CABLES

WARNING: Mounting and/or suspension of audio and video equipment requires experienced professionals. Improperly installed loudspeakers can result in property damage, personal injury and/or liability to the installing contractor.



Wall Mount with U-Bracket

VERTICAL TILT CONTROL USING A U-SERIES MOUNT

These U-Series brackets mount directly to the SAS-200-WM cross arm. Ideal for cabinets that offer mounting points and where both pan and tilt rotations are required.

U-Series models for SAS-100-WM:

2-0900	2-0980	2-1050	2-1100	2-1200	2-1300	2-1350
2-0950	2-1000	2-1060	2-1150	2-1230	2-1320	

See U-Series data sheet for more detailed information.



Wall Mount with Cross Bar and Eyebolt

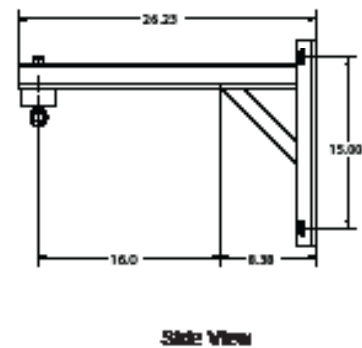
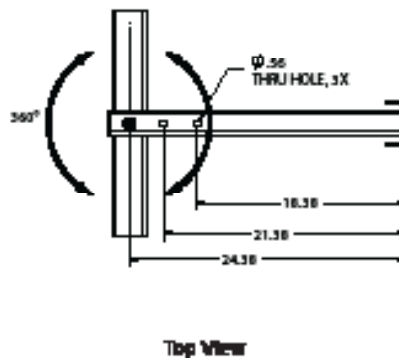
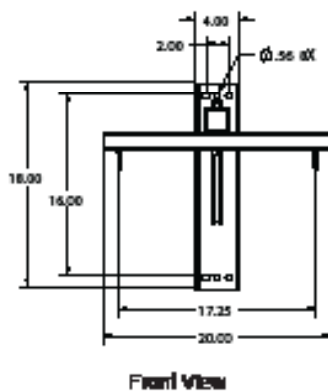
VERTICAL TILT CONTROL USING STEERABLES® CABLE KIT SYSTEMS:

While the SAS-200-WM-G wall-mounting arm provides 360° horizontal control, the Steerables® Tilt Cable Kit provides a secure and infinite locking tilt mechanism. The Tilt Cable Kit is available in five (5) standard sizes, as shown below, and custom sizes can be made to order.

TCK-008	8.25"/209mm Fixed Cable length
TCK-010	10.0"/254mm Fixed Cable length
TCK-014	14.0"/356mm Fixed Cable length
TCK-018	18.0"/457mm Fixed Cable length
TCK-022	22.0"/559mm Fixed Cable length

See Steerables® Tilt Cable Kit data sheet for more detailed information

DIMENSIONS:



ALWAYS INSTALL SAFETY CABLES

WARNING: Mounting and/or suspension of audio and video equipment requires experienced professionals. Improperly installed loudspeakers can result in property damage, personal injury and/or liability to the installing contractor.