

RS-56X168-UG-EXT

1600 lb. WLL

SUB GRID EXTENSION FOR UNIVERSAL GRID RIGGING FRAME

RIGGING SYSTEM



Universal Grid with Extension

RS-56X168-UG-EXT GRID EXTENSION

Attach this optional one piece outdoor-rated extension frame to the RS-56X168-UG Universal Grid to provide a safe suspension platform for small to medium sub arrays. It comes equipped with a structural splice kit that permanently joins the extension frame to the main grid. Only simple hand tools are required.

Once attached, the assembled Grid and Extension frames are suspended under the venue's super structure as one rigid assembly from strategically placed rigging points. The sub array is then rigged under the extension from its own Top Grid leaving plenty of room for the line array cluster to be raked back toward the subs into its optimum position.

This welded extension frame is constructed of tough tubular steel alloy and treated to a rich lasting black powder coat finish.



Grid Frame

STANDARD FEATURES:

- ▶ Permanently supports medium and large sub arrays
- ▶ Permanently Secures to Universal Grid
- ▶ Rugged matte black powder coat finish
- ▶ Outdoor Rated
- ▶ Adjustable Suspension Points

OPTIONAL ACCESSORIES:

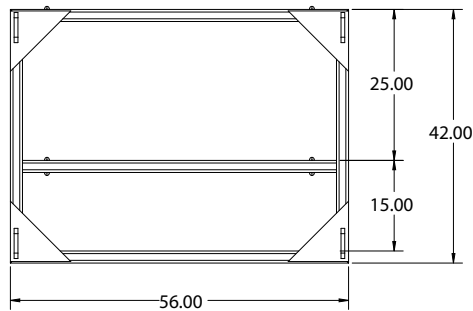
- ▶ See overhead hardware data sheet
- ▶ See wire rope data sheet
- ▶ See safety cable data sheet

SPECIFICATIONS:

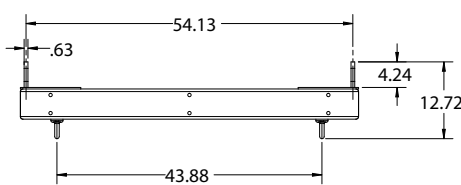
Materials: Structural steel
Finish: Zinc Enriched Powder Coat
Color: Black
WLL: 1600 lb / 727 Kg
Design Factor: 5:1

PACKAGE CONTENTS:

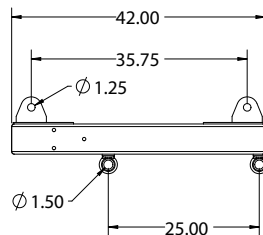
1 pc. Universal Grid Extension
1 set Splice brackets & hardware



Top View



Front View



Side View

