

# OSRV1-1/2

## HANG POINT FITTINGS

## OSR SERIES



To ensure safe and secure rigging systems, both the overhead suspension point(s) and the hang point of the object(s) being suspended must be engineered to accommodate the load with a margin of safety. The OSR Series swivel attachment fitting is a high strength, load rated, attachment that solves for both. The single-hole style is for attachment to the suspended object such as to a loudspeaker. The swivel feature of the pull ring helps avoid side loading when suspended from an angle.

**SINGLE HOLE FITTING FOR SPEAKERS** Use this load rated fitting to secure loudspeakers and other objects that accommodate 1/2" or up to 12mm threaded fasteners. Suspend the object from the OSR fitting's pull ring with a shackle or other compatible load-rated fastener to wire rope, rigging chain, etc.



**Single Hole Fitting**

### SPECIFICATIONS:

**Materials:** Alloy Steel

**Finish:** Black Zinc

**Color:** Black

**WLL:** 0°-800 lbs./363 kg.

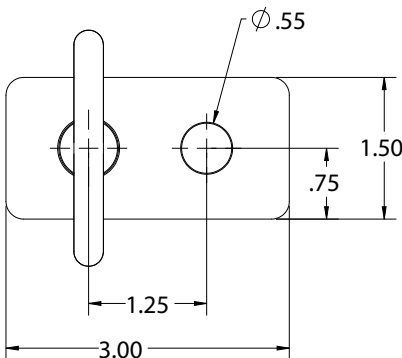
45°-750 lbs./340 kg.

90°-650 lbs./293 kg.

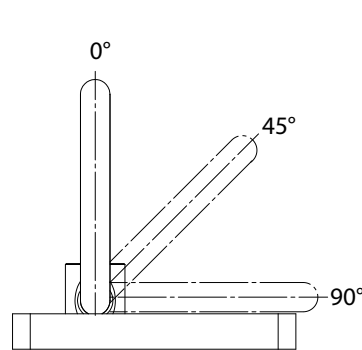
**Design Factor:** 5:1 ratio based on ultimate yield point

**Net Weight:** 0.56 lbs./0.25 Kgs

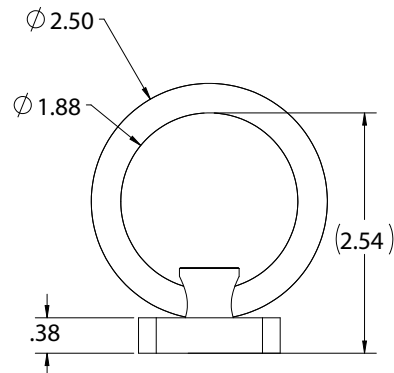
### DIMENSIONS:



**Top View**



**Side View**



**End View**

