

MM-120-DX15-AP

120 lb WLL

ADAPTER PLATE FOR FULCRUM DX15

MULTIMOUNT®



MM-120 mount sold separately

The MM-120-DX15-AP Adapter, when used with the MM-120 wall mount, allows the Fulcrum DX15 loudspeaker to be mounted and aimed from a wall. It may also be suspended and aimed from a ceiling using the MM-3RDX-120 ceiling mount (see separate data sheets), both of which offer pan and tilt aiming capabilities. In addition, the MM-3RDX-120 offers a clockwise rotation.

This Adapter, which is powder coated black to match the wall and ceiling mount finish, bolts directly to the speaker's rigging points and provides four threaded studs to secure the MM-120 and MM-3RDX-120 mounts.

- This product accompanies the MM-120 and MM-3RDX-120. It may not be used by itself.
- *Only Hand tools required.



STANDARD FEATURES:

- ▶ Adapts MM-120 and MM-3RDX-120 to Fulcrum DX15

OPTIONAL ACCESSORIES:

- ▶ MM-120 Wall Mount
- ▶ MM-3RDX-120 Ceiling Mount
- ▶ Safety Cable Kits
- ▶ Ceiling Mount Kits
- ▶ Pipe Extensions

SPECIFICATIONS:

Material: Structural Steel Alloy
Finish: Powder Coat
Color: Black
WLL: 120 lbs. (54 Kg) max.
Design Factor: 5:1 ratio

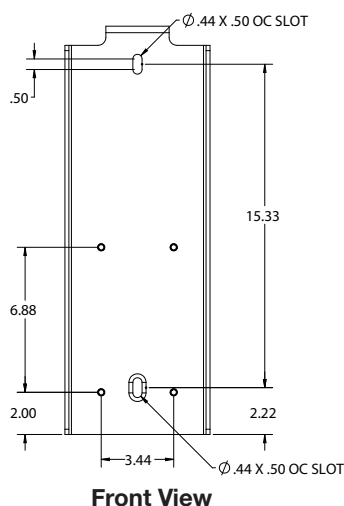
PACKAGE CONTENTS:

1 pc Speaker Adapt Assy
1 pc Hardware Kit

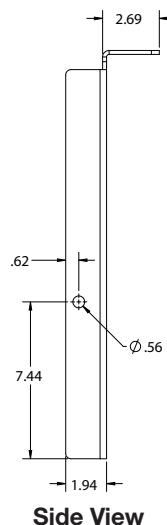


Rated for indoor use.

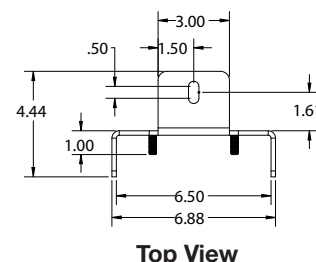
DIMENSIONS:



Front View



Side View



Top View

ALWAYS INSTALL SAFETY CABLES

WARNING: Mounting and/or suspension of equipment requires experienced professionals. Improperly installed equipment can result in property damage, personal injury and/or liability to the installing contractor.