

# PS-500NPS-2

# 140 lb WLL

## SADDLE BRACKET TRUSS MOUNT

## MOUNT-WARE



1/2" dia. Pipe Clamp

Adaptive Saddle Truss Mounts provide a load rated vertical hang point from overhead truss and offers a secure and load rated suspension point for 1/2" diameter schedule 40 pipe (NPT & NPS). Saddle Mounts attach directly to box trussing, lighting truss and pipe applications with cord diameters measuring between 1-3/8" OD" to 2-1/2" OD". Provides a connection for 1/2" schedule 40 Adaptive pipe adapters. This clamp comes powder coated with a built in set-screw lock, two U-Bolts and related hardware. Applications include stages, auditoriums, theatres, studios, theme parks, rental and staging events, etc.



### STANDARD FEATURES:

- ▶ Provides load rated suspension point for .5" pipe
- ▶ Accomodates up to 2 1/2" diameter pipe & box truss
- ▶ Powder coat finish
- ▶ Hardware included

### OPTIONAL ACCESSORIES:

- ▶ Pipe thread reducer - PIPE-1.5-500-PR
- ▶ Pipe Extensions - 12" - 72" lengths

### SPECIFICATIONS:

**Material:** Structural Steel Alloy  
**Finish:** Powder Coat  
**Color:** Black  
**WLL:** 140 lbs. (63 kg) max.  
**Design Factor:** 5:1 ratio

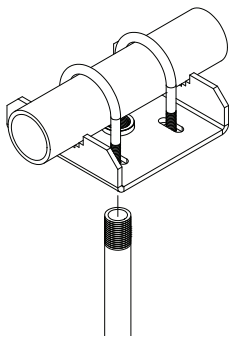
### PACKAGE CONTENTS:

**1pc** Saddle bracket assembly  
**1 set** U-Bolt Kit

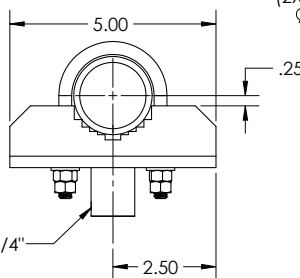
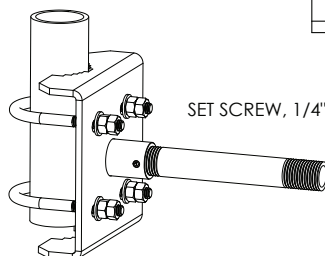


### DIMENSIONS:

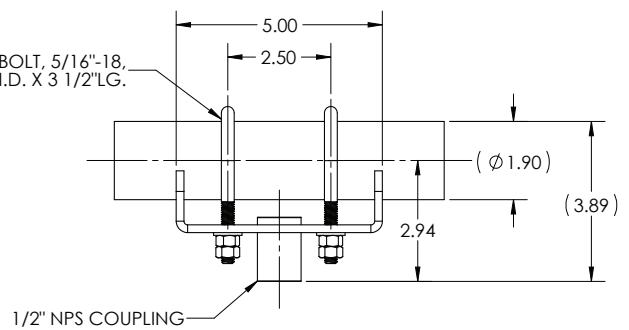
Vertically Mounted  
**Load rated**



Horizontally Mounted  
**Not load rated**



End View



Side View

### ALWAYS INSTALL SAFETY CABLES

**WARNING:** Mounting and/or suspension of equipment requires experienced professionals. Improperly installed equipment can result in property damage, personal injury and/or liability to the installing contractor.