

# OSRV3-1800

# 1800 lb WLL

## OFF-SET SWIVEL ANCHOR

## RIGGING KIT



Suspended load at 30°

Put hang points where you need them with Adaptive's off-set anchor fitting. Avoid side loads with this high strength, load rated suspension fitting. This fitting rotates 360 degrees and aligns from overhead structures in the direction of suspended loads. Suspend overhead loads\* directly to the superstructure to provide a safe and predictable rigging.



Suspended load at 10°



Anchor Assembly



Anchor Components

### STANDARD FEATURES:

- ▶ Self aligning
- ▶ Installs easily and permanently

### OPTIONAL ACCESSORIES:

- ▶ See Shackle datasheet
- ▶ See Wire Rope datasheet

### SPECIFICATIONS:

**Materials:** Alloy Steel

**Finish:** Zinc Plate

**Color:** Black

**WLL:** 0° 1800 lb / 818 Kg

45° 784 lb / 356 Kg

90° 595 lb / 270 Kg

**Safety Factor:** 5:1 ratio

\* Be certain the overhead structure will support the intended load

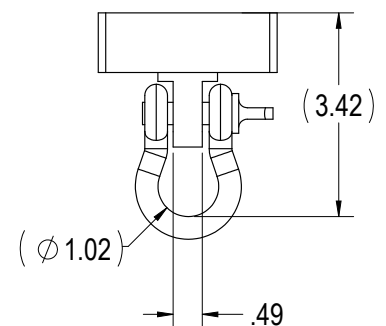
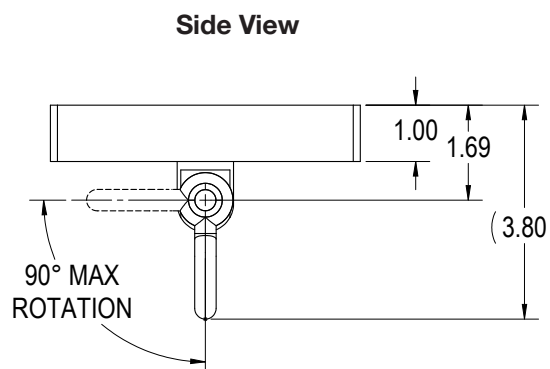
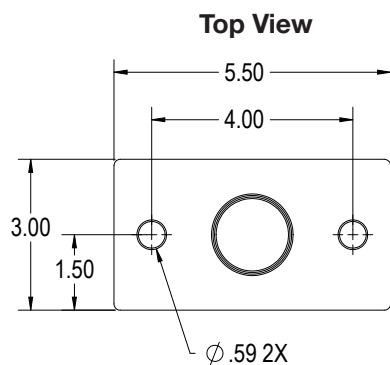
### PACKAGE CONTENTS:

**1pc** Swivel Anchor

**1pc** 1/2" SPA Shackle



### DIMENSIONS:



**Adaptive Technologies Group**  
1635 E. Burnett Street | Signal Hill, CA 90755 USA  
Ph: 562.424.1100 | Fax: 562.424.3520  
www.adaptivetechologiesgroup.com



### ALWAYS INSTALL SAFETY CABLES

**WARNING:** Mounting and/or suspension of audio and video equipment requires experienced professionals. Improperly installed loudspeakers can result in property damage, personal injury and/or liability to the installing contractor.