



Thank you for selecting the MultiMount™ MM-022 speaker Mounting kit. This mounting kit contains one speaker mount that positions speakers weighing up to 60 lb/27 kg. from most wall and ceiling structures. The MultiMount-022 simplifies and speeds up wall and ceiling speaker installations while achieving a very versatile range of speaker positioning.

Note to installers:

Due to the wide variety of wall structures, materials and mounting methods, these instructions assume that the installing contractor will exercise proper judgment in selecting the mounting area and hardware.

As a guide, the installation, when complete should be capable of supporting 5 to 10 times the actual applied load. Always use a back-up safety system such as a safety cable.

To assure a trouble free installation, read through and follow these instructions carefully before beginning. If you have doubts about the integrity of the structure you are mounting to or you are not sure about the proper hardware to use, consult a structural and/or hardware specialist.

Be sure that all of the following items are included in this kit before proceeding:

1 pc	Mounting plate	1 pc	Speaker adapter plate w/ tabs
1 pc	Support Arm Assy.	1 pc	Instruction sheet
1 pc	stop pin		

Note: Screws and washers to attach speaker to adapter plate are not included.



Step 1:

Disassemble the wall mount plate from the support arm by removing the 5/16" hex bolt and pan locking washer (Figure 1).

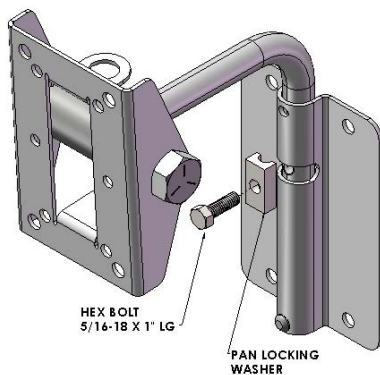


Figure 1

Step 2: For Wall Mounting:

Attach the mounting plate to the wall with the open center slot towards the ceiling using the appropriate hardware for the application (Figure 1). If in doubt, consult a local hardware specialist. Make sure the stop pin is placed into the lower center hole of the wall plate (Figure 2).

For Ceiling Mounting:

Predetermine the desired direction of the speaker. Attach the mounting plate to the ceiling structure with the open center slot towards the speaker using the appropriate hardware for the application.

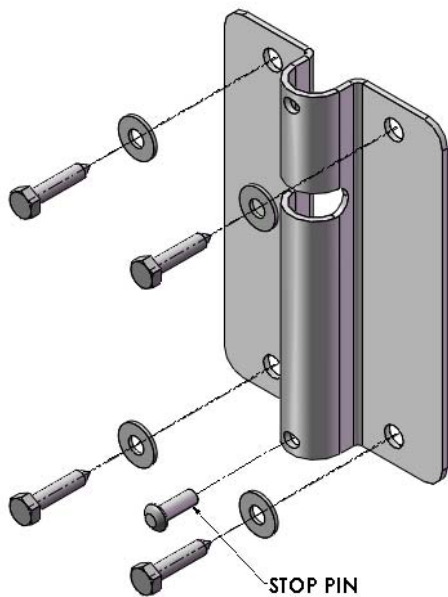


Figure 2

Step 3:

Lightly loosen the 3/4" bolts (Right hand and left hand thread) securing the speaker adapter plate to the support arm's pivot rod. The support arm should be able to rotate easily without binding.

For Vertical installation, use the speaker adapter plate/support arm assembly as is. Attach the speaker adapter plate and support arm assembly to the appropriate mounting holes of the speaker using the manufacturer's suggested screws and washers. The support arm should face the lower end of the speaker (Figure 3). Tighten these fasteners permanently. If threaded inserts are not included on the speaker, consult the speaker manufacturer for proper mounting procedures

For horizontal installation, disassemble the adapter plate from the pivot rod and re-assemble as shown in figure 4. Attach the speaker adapter plate and support arm assembly to the appropriate mounting holes of the speaker using the manufacturer's suggested screws and washers. The support arm should face the lower end of the speaker (Figure 4). The 3/4-11 left hand thread should be on the grooved side of the pivot rod. Tighten these fasteners permanently. If threaded inserts are not included on the speaker, consult the speaker manufacturer for proper mounting procedures. (Figure 4).

Step 4:

Lift the speaker and support arm up to the mounting plate and insert the arm through the end of the mounting plate with the cross slot (Figure 5). Line up the support arm's threaded hole with the cross-slot. Insert the 5/16" hex bolt with the pan locking washer through the mounting plate's slot and into the threaded hole of the support arm (Figure 5). Be sure the pan locking washer is seated vertically outside the slot.

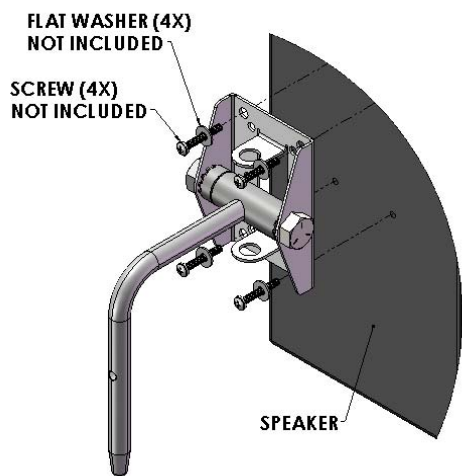


Figure 3

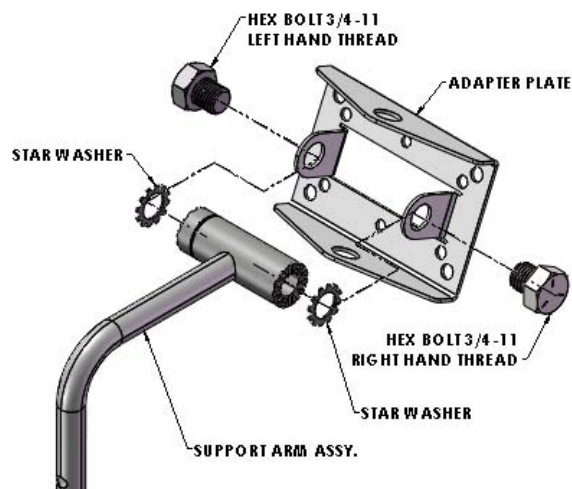


Figure 4

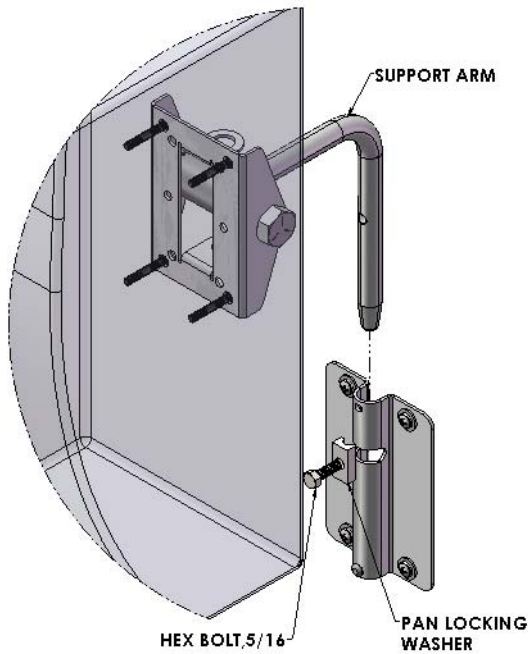


Figure 5

Step 5: Setting the pan angle:

Rotate the speaker horizontally right or left until the speaker is aimed in the desired direction. Permanently tighten the hex bolt at the mounting plate (Figure 6).

Step 6: Setting the tilt angle

While supporting the speaker's weight, lift the speaker up to the desired tilt angle and hold it in position. Tighten the 3/4" hex bolts at the sides of the speaker adapter plate, one is a right hand thread and one is a left hand thread. Rotate the left hand thread bolt on the grooved side of the pivot rod counterclockwise to tighten. Rotate the other opposite bolt clockwise to tighten. Be sure that the bolts have been tightened permanently before releasing the weight of the speaker (Figure 7).

If the tilt angle needs to be adjusted, DO NOT PULL ON SPEAKER, rather loosen the bolts then repeat step 6.

Step 7: Recommendation: Install Safety Cable

Attach a safety cable (sold separately) to the mounting surface (Must be able to support at least five times the weight of the speaker), then attach the other end of the safety cable to the speaker. If no attachment is provided on speaker, consult speaker manufacturer for advice on best attachment point and method.

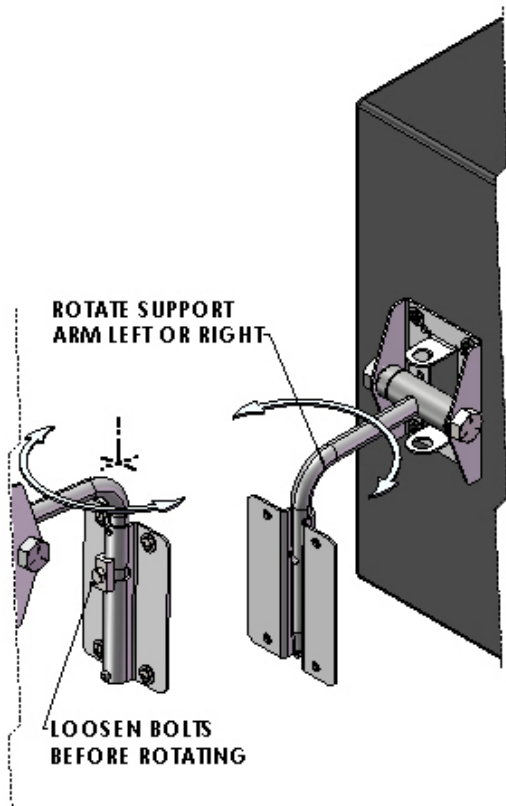


Figure 6

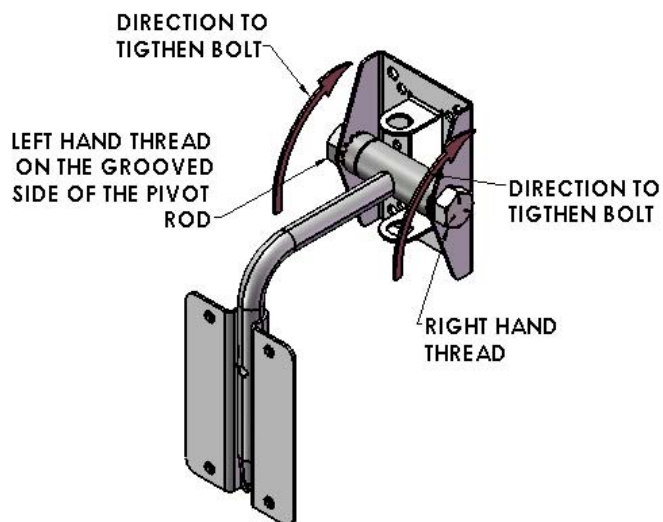


Figure 7