



The versatile MultiMount™ MM-060 wall mounts loudspeakers weighing up to 60 lbs to walls using the standard four-hole mounting patterns located on both the back and the bottom panels.

The MM-060 simplifies and speeds up installation while offering a very versatile range of mounting and aiming options.

Note to installers

Due to the wide variety of wall structures, materials and mounting methods, these instructions assume that the installing contractor will exercise proper judgment in selecting the mounting area and hardware.

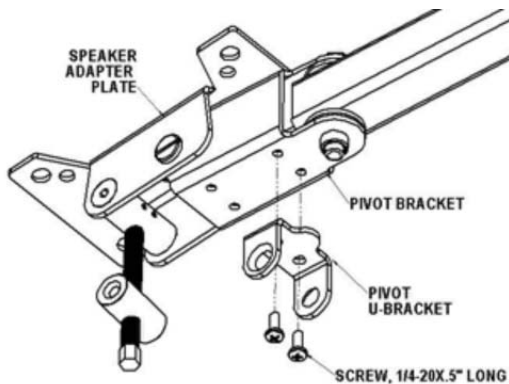
As a guide, the installation, when complete should be capable of supporting 5 to 10 times the actual applied load. Also, always use a back up safety system such as a safety cable.

To assure a trouble free installation, read through and follow these instructions carefully before beginning. If you have doubts about the integrity of the structure you are mounting to or you are not sure about the proper hardware to use, consult a structural and/or hardware specialist.

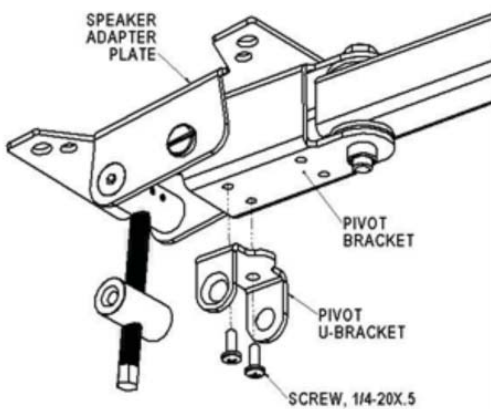
Be sure that all of the following items are included in this kit before proceeding:

| | | | |
|------|---------------------|------|--------------------------|
| 1 pc | Wall mounting plate | 1 pc | Speaker adapter assembly |
| 1 pc | Hardware kit | 1 pc | Instruction sheet |

Note: Screws and washers to attach speaker to adapter plate are not included



Rear Mounted Configuration



Bottom Mounted Configuration

Before beginning the installation process, first determine if the mount will attach to the rear or the bottom panel of the speaker then select the corresponding instructions below:

Rear Mounted Configuration

Assemble the Pivot U-Bracket to the set of holes closest to the bracket pivot using the supplied 1/4-20 x 5" long screws.

Bottom Mounted Configuration

Assemble the Pivot U-Bracket to the set of holes farthest from the bracket pivot using the supplied 1/4-20 x 5" long screws.

Step 1: Assemble Tilt Mechanism

Assemble the free end of the threaded pivot bar to the Pivot-U-bracket using the supplied flat head screws and tighten (Figure 3).

Step 2a: Install Wall Plate to Wall

Orient the wall plate with the smaller through hole under the larger hole and place over the desired wall location. Using a level, mark the mounting holes, then pre-drill the holes using an undersized drill bit.

Secure the Wall Plate to the wall using the appropriate mounting hardware.

DO NOT INVERT THE WALL PLATE. THE TAB MUST ALWAYS BE ON THE TOP SIDE.

Caution - If in doubt, consult a hardware specialist in the proper selection for mounting to the structure (Figure 4). If wiring is coming out from the wall, make sure that it is long enough to go out from the square hole of the wall mount plate.

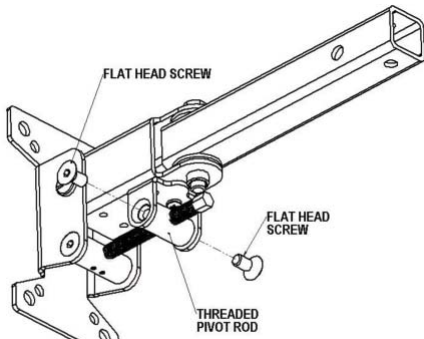


Figure 3

Step 2b: Install Wall Plate to Stud Bridge Plate
 Select the optional Stud Bridge Plate (WP-16) to bridge between two structural wall studs. Install the Stud Plate with the two closer studs oriented on the lower end of the plate. Secure the Wall Plate directly to the protruding threaded studs using the provided flat washers and nuts (Figure 5).

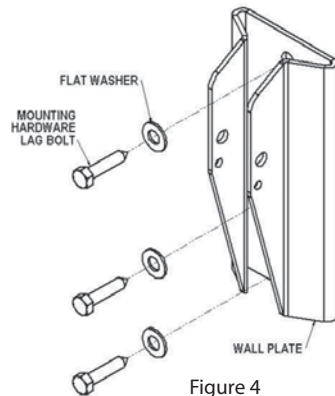


Figure 4

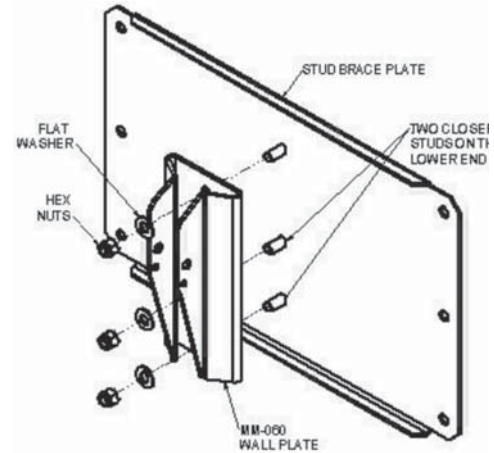


Figure 5

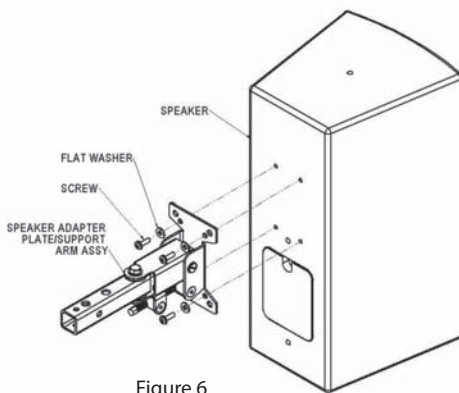


Figure 6

Step 3: Attach Mount to Speaker
 Attach the speaker mount to the selected speaker mounting holes using the speaker manufacturer's recommended or supplied hardware (Not included with the mount). Tighten these fasteners permanently (Figure 6 and Figure 7).

Note: If the speaker cabinet does not offer threaded mounting holes, do not install this mount. Consult the speaker manufacturer for their recommended mounting procedures.

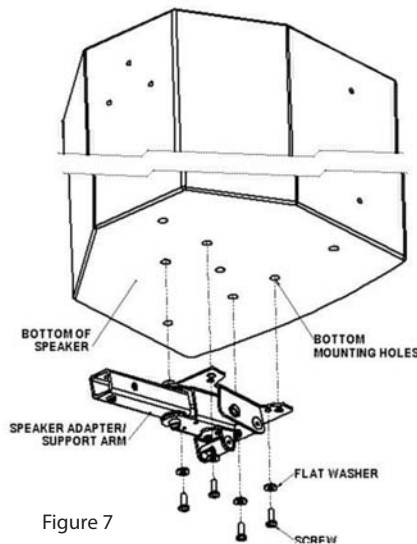


Figure 7

Step 4: Prepare the Wall Plate
 Insert the 1/4-20x 1.75" screw through the lower hole of the wall mounting plate. This will act as a landing for the support arm (Figure 8).

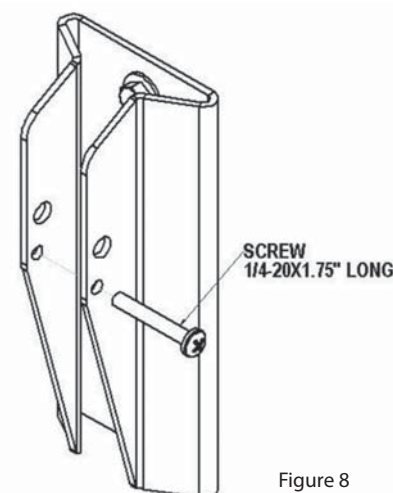


Figure 8

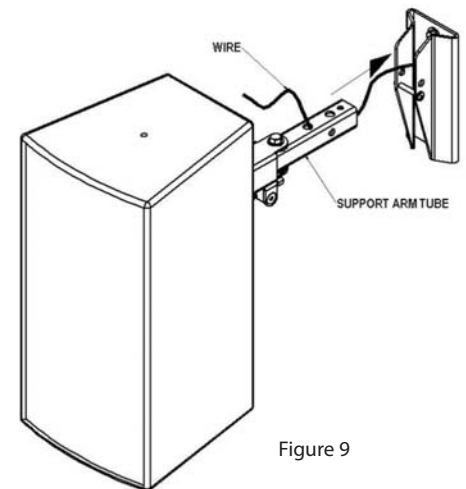


Figure 9

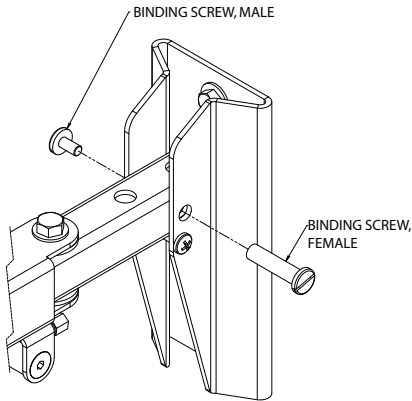


Figure 10

Step 5a: Install Speaker and Mount to Wall Plate

Lift speaker and mount up to the wall mounting plate, feed wire in through the end of the Support Arm Tube and out through the tube's upper hole or the end of the tube by removing the end cap.

Fully insert the support arm into the wall mount plate's opening, just above the screw until the tube seats inside the square hole and under the protruding tab (Figure 9).

Step 5b: Install Speaker and Mount to Wall Plate

Align the side hole of the Support Arm Tube with the through hole of the Wall plate then insert the supplied binding screw all the way to the other end. Secure that end with the short threaded binding screw (Figure 10). Tighten permanently but do not crush the wall mount plate.

Step 5c: Install Speaker and Mount to Wall Plate

Remove the lower side hole screw of the Wall Plate and insert it through the protruding tab and into the Support Arm Tube. Tighten permanently (Figure 11).

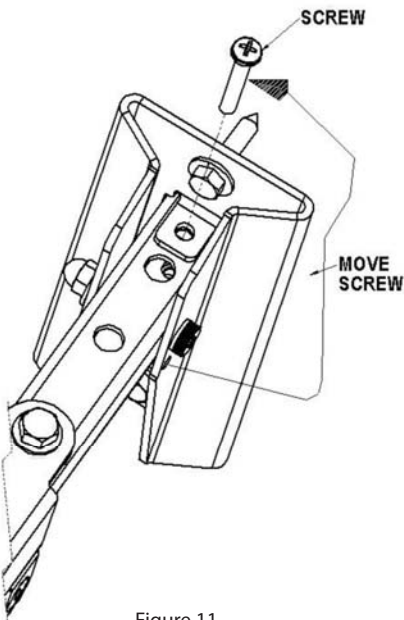


Figure 11

Step 6: Set the Pan Angle (horizontal)

Rotate the speaker horizontally, right or left, until it is aimed in the desired direction. Tighten the hex bolt at the bracket pivot permanently (Figure 12).

Step 7: Set the Tilt Angle

While supporting the weight of the speaker, rotate the tilt control rod using a wrench until the desired tilt angle is achieved (Figure 13).

Step 8: Strongly Recommended: Install Safety Cable

Attach one end of a safety to the wall structure and the other end to the speaker. If no attachment is provided on the speaker, consult the speaker manufacturer for advice on best attachment point and method. *Safety cables sold separately.*

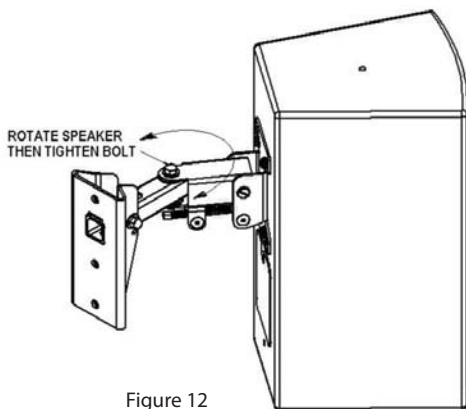


Figure 12

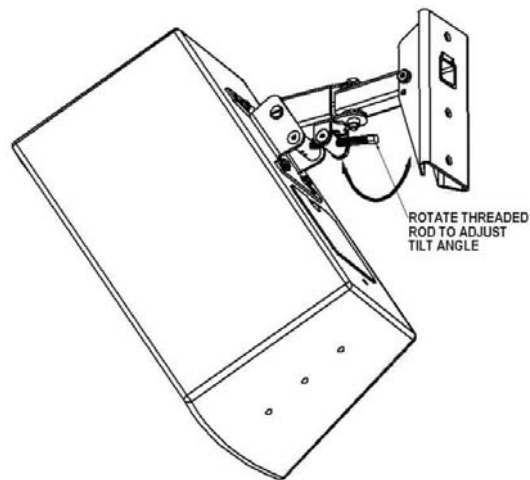


Figure 13