



MP-150-115-CM

Ceiling Mount Kit Installation Guide

The MP-150-115-CM attaches audio and video mounts to flat ceiling or structures. This ceiling mount assembly accepts a standard 1-1/2"-11.5 NPT pipe. With the added reducer bushing adapters, it accepts 1/2"-14 NPT and 1/2"-13 threaded rods.

Warning:

Mounting and/or rigging loudspeakers requires experienced professionals. ***Improperly installed loudspeakers can result in property damage, personal injury, death and/or liability to the installing contractor.***

To assure a trouble free installation, read through and follow these instructions carefully before beginning. If you have doubts about the integrity of the structure you are mounting to or the proper mounting hardware, consult a local structural or hardware specialist.

Due to the variety of ceiling structures, mounting hardware to ceiling is not included. Please contact your local hardware specialist for the right hardware to use.

Be sure that all of the following items are included in this kit before proceeding:

Qty.	Description
1 pc	Ceiling Mount
1 pc	1/2"-14 NPT pipe reducer bushing/adaptor
1 pc	1/2"-13 thread reducer bushing/adaptor
1 pc	Instruction sheet

Step 1:

Decide which pipe or thread is being used to suspend the audio or video mounts such as 1-1/2" NPT, 1/2" NPT or 1/2"-13 threaded rods.

Step 2:

Install the MP-150-115-CM ceiling plate to the desired location using the proper hardware for the structure. If in doubt consult a local hardware specialist (Figure 1).

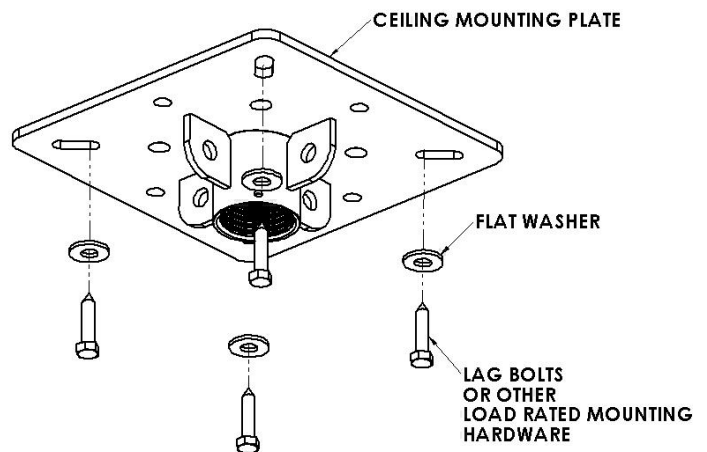


Figure 1 (Shown with Lag bolts)

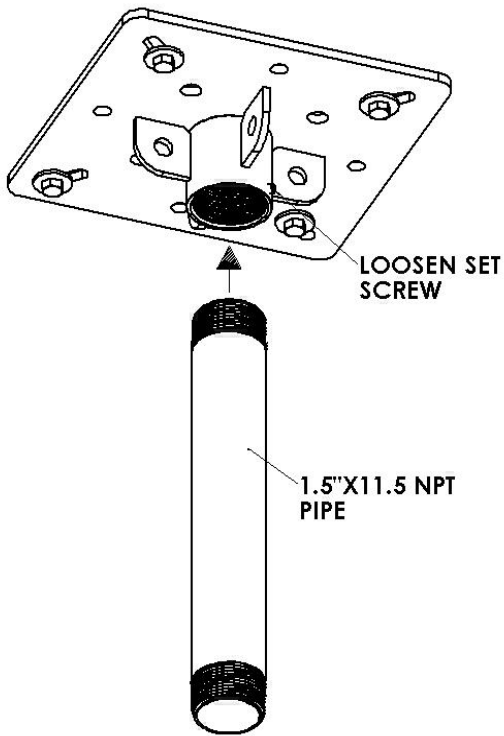


Figure 2

Step 3A: Attach 1-1/2" NPT pipe.

Loosen the set screw on the ceiling plate to make sure the pipe can thread in easily. Thread in the 1-1/2" pipe counterclockwise until tight. Tighten the set screw to permanently secure on the pipe (Figure 2).

Step 3B: Attach 1/2"-14 NPT Reducer Bushing

Loosen the set screw on the ceiling plate to make sure the 1/2" NPT reducing bushing/adapter can thread in easily. Thread in the reducer bushing counterclockwise until tight, use a wrench if necessary, and then tighten the set screw to permanently secure on the reducer bushing (Figure 3).

Attach the 1/2" NPT pipe to the reducer bushing until tight, then tighten set screw to permanently secure pipe (Figure 3).

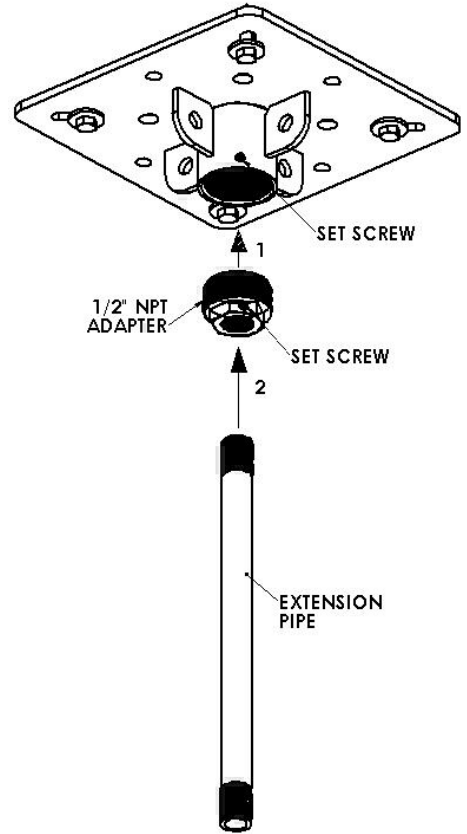


Figure 3

Step 3C: Attach 1/2"-13 thread Reducer Bushing

Loosen the set screw on the ceiling plate to make sure the 1/2" NPT reducer bushing/adapter can thread in easily.

Thread in the 1/2" NPT reducer bushing counterclockwise until tight, use a wrench if necessary, and then tighten the set screw to permanently secure on the reducing bushing (Figure 4).

Loosen the set screw of the 1/2" NPT reducer coupling. Attach the 1/2"-13 thread reducer bushing until tight, then tighten set screw to permanently secure pipe (Figure 4).

Thread-in two 1/2"-13 hex nut about 2" from the edge into the threaded rod. Screw-in the 1/2"-13 threaded rod about 1"-1.5" deep into the bushing. Tighten the hex nuts to permanently secure the threaded rod.

Step 4:

Attach the audio or video mount at the other end of the pipe or threaded rod. Refer to audio or video mounts' installation guide to

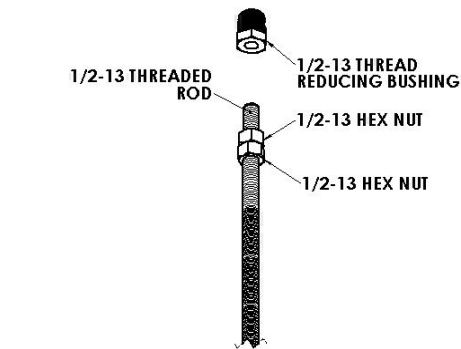
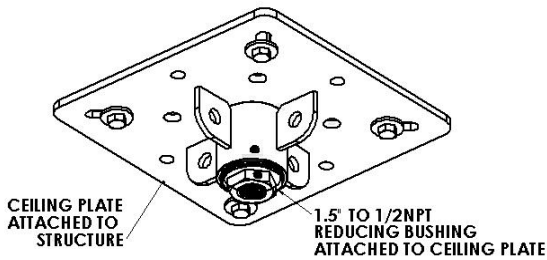


Figure 4

complete the installation.

Step 5: Recommended: Attach Safety Cable

Attach the safety cable to the structure and the other end to the speaker.