

# PoleStar™

## Installation Instructions

# PM-MOUNT-6DOWN

## For Poles Less Than 6" Dia.

**T**hank you for choosing the PoleStar™ PM-Mount-6Down Pole Adapter. This all weather, stainless steel pole adapter is designed to adapt the PoleStar's Support Arm and other objects to vertical poles and columns under 6"/152mm in diameter.

### **Important:**

Mounting overhead systems require experienced professionals. *Improperly installed audio equipment can result in property damage, personal injury, death and/or liability to the installing contractor.* Do not install if in doubt about the integrity of the mounting structure.

**Caution:** Due to the wide variety of mounting structures, environments, materials and mounting methods, these instructions assume that the installing contractor will exercise good judgment in selecting the proper mounting area and hardware.

*Follow these instructions for the most efficient and safest mounting results. Do not exceed the working load limit of 150lb./68 kg.*

**DO NOT use Pneumatic tool to tighten bolts.**

**Use lubricant to bolts and nuts to prevent thread galling and seizing before assembly.**

### Package Contents:

Qty	Description
1 pc.	PM-MOUNT-6DOWN
2 pcs.	Hex bolt, 1/2 -13 x 1.5" long SS
4 pcs.	Flat washer 1/2" SS
2 pcs..	Nut, locking, 1/2-13 SS
1 pc	Anti-sieze lubricant

### Step 1: Secure Support Arm to Pole Adapter: (Figure 1).

Secure Support Arm to Pole Adapter by using the included bolts, washers and lock nuts. Tighten permanently.

### Step 2: Secure Adapter to Pole

Attached to the PM-Mount-6 down to the pole using the selected type of banding. Makes sure the selected band strap is capable of supporting 5 times the load.

**SEE BANDING STRAP INSTRUCTION SHEET FOR ATTACHING TO POLES AND COLUMNS.**

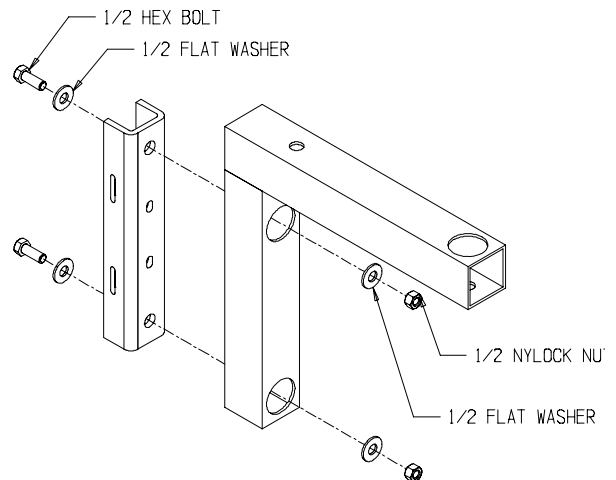
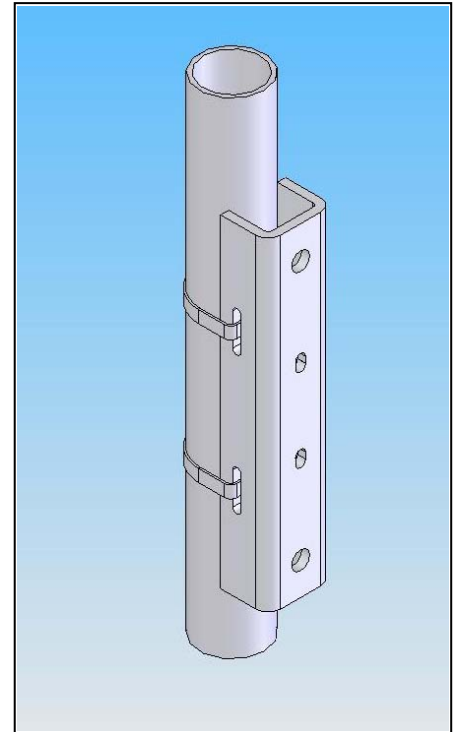


Figure 1: With Optional Support Arm