

PoleStar™

Installation Instructions PM-Mount-6UP

PM-MOUNT-6UP

6" Diameter Poles and Up

Thank you for choosing the PoleStar™ Pole Adapter PM-Mount-6UP. This all weather, stainless steel pole adapter is designed to adapt the PoleStar's Support Arm, Dual Adapter kits and other objects to vertical poles and columns over 6"/152mm diameter.

Important:

Mounting overhead systems require experienced professionals. **Improperly installed audio equipment can result in property damage, personal injury, death and/or liability to the installing contractor.** Do not install if in doubt about the integrity of the mounting structure.

Caution: Due to the wide variety of mounting structures, environments, materials and mounting methods, these instructions assume that the installing contractor will exercise good judgment in selecting the proper mounting area and hardware.

Follow these instructions for the most efficient and safest mounting results. Do not exceed the working load limit of 300lbs/136 kg.

DO NOT use Pneumatic tool to tighten bolts.

Use lubricants to bolts and nuts to prevent thread galling and seizing before assembly.



PM-MOUNT-6UP with pole strap and Pole Mount Arm

Package Contents:

Qty	Description
1 pc.	PM-MOUNT-6UP
2 pcs.	Hex bolt, 1/2-13 x 1.5" SS
4 pcs.	Flat washer, 1/2" ID SS
2 pcs.	Hex Nut, locking, 1/2-13 SS
1 pc	Anti-seize lubricant

Step 1: Secure Support Arm to Pole Adapter: (Figure 1).

Secure Support Arm to Adapter before attaching Adapter to pole using the bolts, flat washers and nylock nuts included in the Pole Adapter kit. Tighten permanently.

Step 2: Secure Dual Adapter to Pole Adapter: (Figure 2)

Attach the Dual Adapter to the pole adapter using the 3" bolts and hardware included in with the Dual Adapter kit. Make sure the large round center hole of the dual adapter is oriented up. Tighten bolt and nuts permanently.

Step 3: Secure the Pole Adapter to the pole or column: (Figure 3)

Secure the Pole Adapter to the pole or column using the selected band strap kit (PM-Band-30, 60 or 90 sold separately). Decide the final height and horizontal angle before securing the banding strap permanently.

Step 4: Recommended

Add Safety Cable from speaker(s) to Pole.

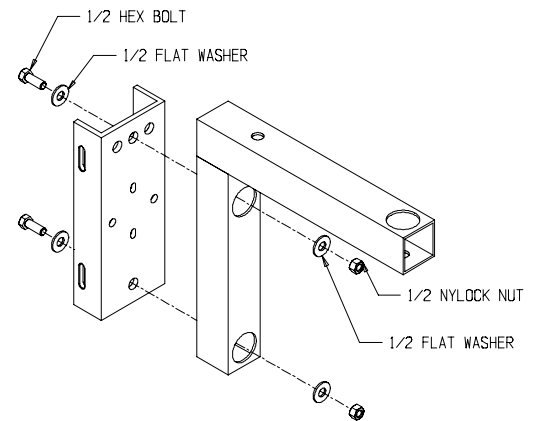


Figure 1: With Optional Pole Mount Arm

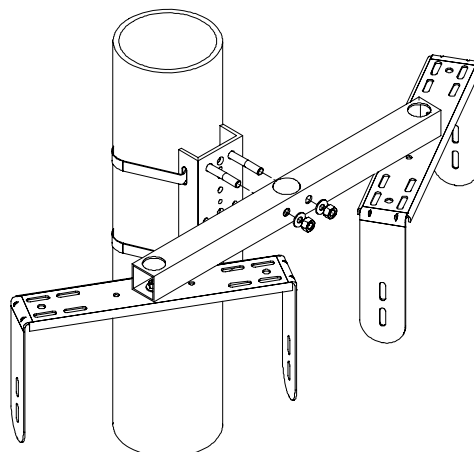


Figure 2: Optional PM-DA Dual Adapter

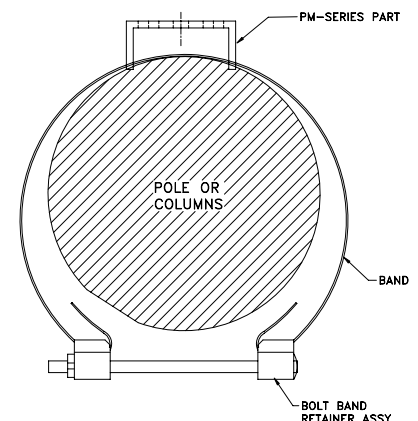


Figure 3: Pole Strap Illustration