

# SAS-100-20 Rated Wall Arm Installation Instructions

Thank you for selecting the SAS-100-20 Universal wall arm. This universal wall arm is designed to support a variety of mounts to walls or other safe vertical structures while providing a pan angle adjustment.

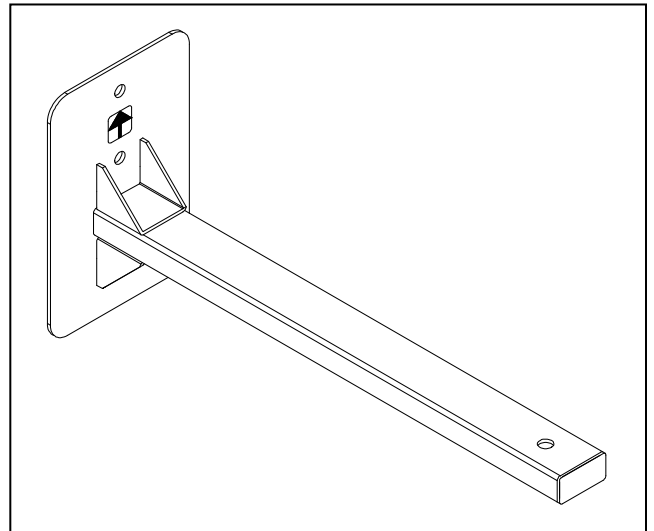
**Important:**

Mounting and rigging video equipment requires experienced professionals. ***Improperly installed video equipment can result in property damage, personal injury, death and/or liability to the installing contractor.*** Do not install if in doubt about the integrity of the mounting structure.

***Follow these instructions for the most efficient and safest mounting results.***

**Caution:**

Due to the wide variety of wall structures, materials and mounting methods, these instructions assume that the installing contractor/installer will exercise good judgment in selecting the proper mounting area hardware.



As a guide, the installation, when completed should be capable of supporting at least 5 times the actual applied load.

**Step 1. Attach mounting arm to wall:**

Secure the mounting arm assembly to the wall with the "This End Up" label arrow pointing up. *Check with your hardware specialist for proper mounting hardware (Figure 1).*

An optional Stud Brace Plate is available to adapt to structural wall studs (Figure 2).

**Model #:**

**WP-16** for 16" stud separation

**WP-24** for 24" stud separation

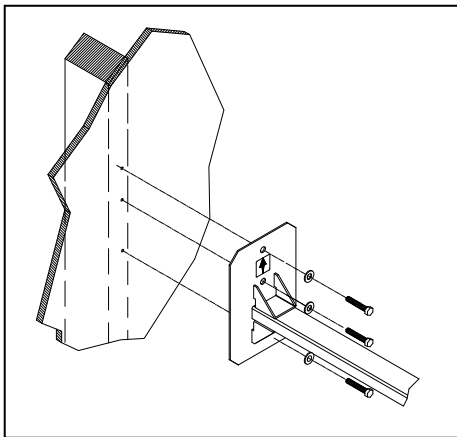


Figure 1

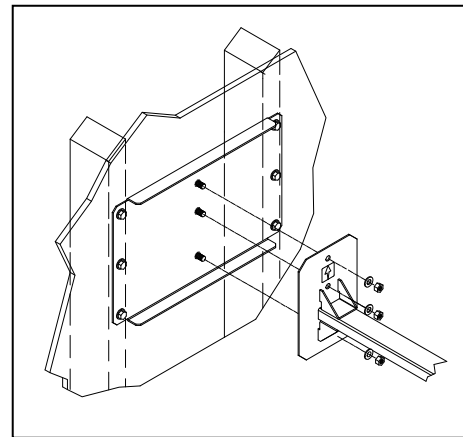


Figure 2  
**Optional Accessory:**  
Wall Stud Brace Plate