

FP-AM7215-2X1

(400 lb. WLL)

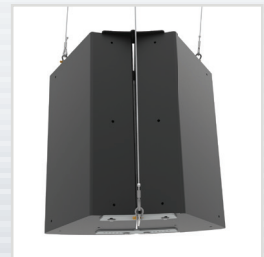
CLUSTER PACK PLANAR ARRAY KIT

FASPAC™



Clustering and flying AM7215 and AM5215 series loudspeakers is easy, safe and very predictable. This planar array suspension kit joins three AM7215 or AM5215 cabinets together to be flown as one, tight-packed for near field placement or splayed out for further distances from the audience.

Four front joiner plates and two rear joiner plates come in the kit. Load rated eyebolts provide the actual suspension by passing through the front plates and anchoring into the cabinet's threaded attach points. High strength bolts are provided to secure the joiner plates.



STANDARD FEATURES:

- ▶ Clustering and flying AM4212 & AM6212 series loud speakers.

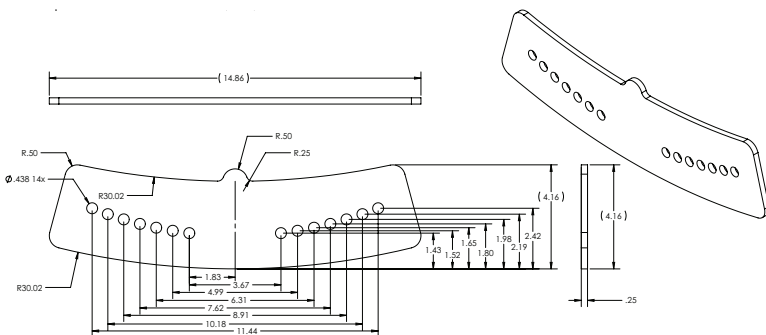
SPECIFICATIONS:

- Material:** Structural Steel Alloy
- Finish:** Powder Coat
- Color:** Black
- Design Factor:** 5:1 ratio
- WLL:** 400 lb. / 182 Kg.
- Shipping Weight:** 21 lb. / 9.5 Kg.

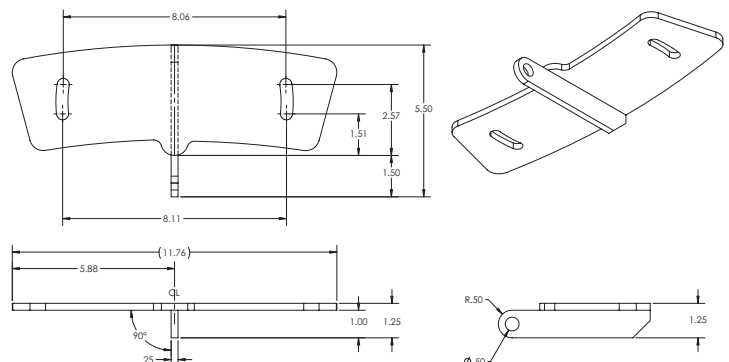
PACKAGE CONTENTS:

- 2pcs** Rear Joiner Plates
- 4pcs** Front Joiner Plates
- 2pcs** Eyebolt, M10X50mm
- 2pcs** Eyebolt, M10X35mm
- 1pc** Hardware Kit

Front Joiner Plate



Rear Pullback Joiner Plate



ALWAYS INSTALL SAFETY CABLES

WARNING: Mounting and/or suspension of audio and video equipment requires experienced professionals. Improperly installed loudspeakers can result in property damage, personal injury and/or liability to the installing contractor.