

PM-MOUNT-6DOWN

STAINLESS

Adapts Support Arm to Poles 2-6" in Diameter

POLESTAR®



When the pole or column does not offer an adequate way to attach safety cables, specify the PM-Safety-6DSS and corresponding band kit. This mount provides a structural method for anchoring safety cables. It installs above the pole adapter and safety cables are then secured to the safety anchor and each loudspeaker, thus by-passing the pole adapter completely.



STANDARD FEATURES:

- ▶ Mounts PM-SA-24 to poles
- ▶ All stainless steel construction
- ▶ Load rated components
- ▶ Components use common hole patterns
- ▶ Cosmetic trim components included
- ▶ Job-site ready

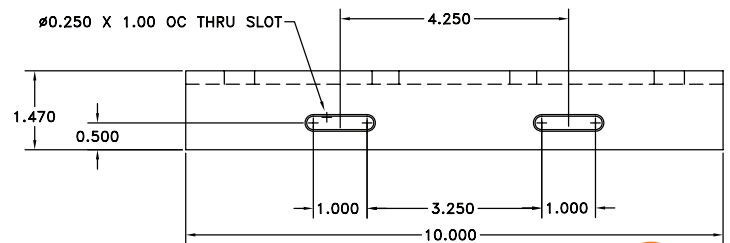
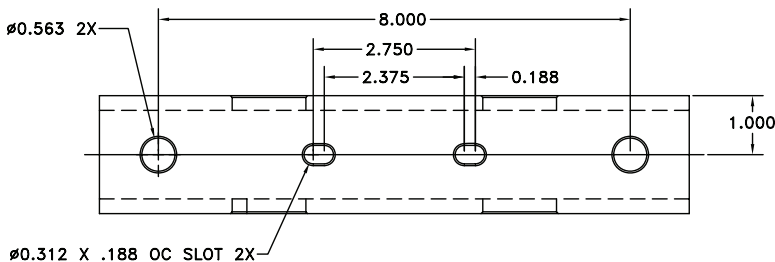
SPECIFICATIONS:

Material: Stainless Steel
Finish: Passivated
Color: Silver
WLL: 300 lb / 136.078

*WLL = Working Load Limit

PACKAGE CONTENTS:

1 pc: Mount Bracket
1 pc: Hardware kit.



Rated for outdoor use.

Adaptive Technologies Group
1635 E. Burnett Street | Signal Hill, CA 90755 USA
Ph: 562.424.1100 | Fax: 562.424.3520
www.adapttechgroup.com



ALWAYS INSTALL SAFETY CABLES

WARNING: Mounting and/or suspension of audio and video equipment requires experienced professionals. Improperly installed loudspeakers can result in property damage, personal injury and/or liability to the installing contractor.

PM-MOUNT-6DOWN

OPTIONAL ACCESSORIES

POLESTAR®

BAND STRAP KITS:

Four different length permanent band kits are available for the PM-Mount- 6UP and - 6DOWN. Standard stock lengths include 20", 30" and 90". Choose from the PM-Band-20, PM-Band-30, PM-Band-60 and PM-Band-90. Each kit contains 2 assemblies. These kits, when used per instructions will support the stated working load of the selected pole adapter.

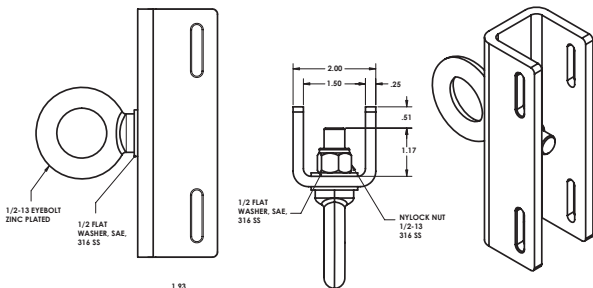
Model	Length	Width	Max Dia	WLL	Weight
PM-Band-20S	20"/50.8cm	.50/13mm	6"/152mm	150 / 68kg	.7 lb. / .32 kg

SAFETY CABLES:

Model #	Length (Loop to Loop) Inches/mm	Description QTY & Contents	MATL	Static WLL (lbs/kg)	Style
SC-188-18-SS	18"/450	3/16" Wire Rope 7X19 (2) 1/4" Shackle	SS	750/ 340	B
SC-188-24-SS	24"/610	3/16" Wire Rope 7X19 (2) 1/4" Shackle	SS	750/ 340	B
SC-188-30-SS	30"/762	3/16" Wire Rope 7X19 (2) 1/4" Shackle	SS	750/ 340	B
SC-188-48-SS	48"/1220	3/16" Wire Rope 7X19 (2) 1/4" Shackle	SS	750/ 340	B
SC-188-72-SS	72"/1830	3/16" Wire Rope 7X19 (2) 1/4" Shackle	SS	750/ 340	B
SC-188-96-SS	96"/2438	3/16" Wire Rope 7X19 (2) 1/4" Shackle	SS	750/ 340	B

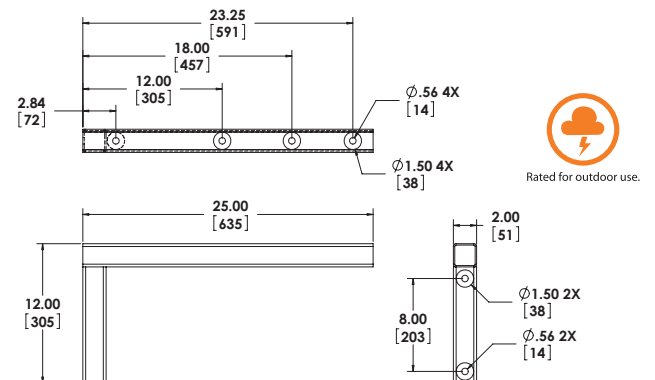
SAFETY ANCHOR / PM-SAFETY-6DSS:

When the pole or column does not offer an adequate way to attach safety cables, specify the PM-Safety-6DSS and corresponding band kit. This mount provides a structural method for anchoring safety cables. It installs above the pole adapter and safety cables are then secured to the safety anchor and each loudspeaker, thus by-passing the pole adapter completely.



SUPPORT ARM / PM-SA-24:

The PM Series Support Arm is produced from rugged structural stainless steel in a natural finish and supports the stated working load of the selected pole adapter. Three different mounting holes allow for placement relative to the pole to allow clearance for tilt rotation. Decorative hole covers provide a finished look and hardware is included to secure Yoke and U-Bracket style mounts.



ALWAYS INSTALL SAFETY CABLES

WARNING: Mounting and/or suspension of audio and video equipment requires experienced professionals. Improperly installed loudspeakers can result in property damage, personal injury and/or liability to the installing contractor.